



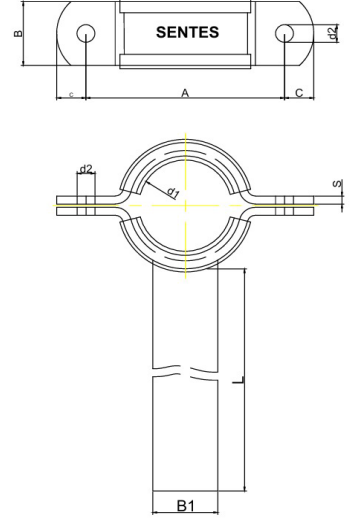
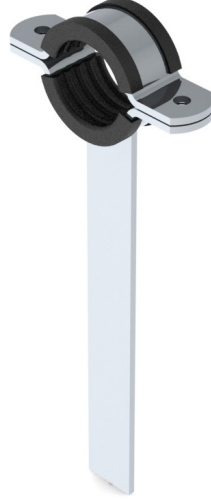
SENTES

ENDÜSTRİYEL BORU KELEPÇELERİ
ASKI SİSTEMLERİ

Endüstriyel Boru Kelepçeleri
Industrial Pipe Clamps

S-06

LASTİKLİ KAYNAKLI
BORU KELEPÇESİ
RUBBER WELDED
PIEPE CLAMPS
NW 15 - 400



KOD/CODE	mm	inch	DN	d1	A	C	d2	B x S	B1 x S1	L	CİVATA SOMUN
S060120CSS	20 *		15	20	67	11	9	20 x 3	30 x 5	300	M 8 x 20
S060122CSS	21,3 *	1/2"	15	22	67	11	9	20 x 3	30 x 5	300	M 8 x 20
S060125CSS	25 *		20	25	77	11	9	20 x 3	30 x 5	300	M 8 x 20
S060127CSS	26,9*	3/4"	20	27	77	11	9	20 x 3	30 x 5	300	M 8 x 20
S060130CSS	30*		25	30	82	11	9	20 x 3	30 x 5	300	M 8 x 20
S060134CSS	33,7*	1"	25	34	82	11	9	20 x 3	30 x 5	300	M 8 x 20
S060138CSS	38 *		32	38	98	15	11	30 x 5	30 x 5	300	M 10 x 30
S060143CSS	42,4 *	1 1/4"	32	43	98	15	11	30 x 5	30 x 5	300	M 10 x 30
S060145CSS	44,5 *		40	45	107	15	11	30 x 5	30 x 5	300	M 10 x 30
S060149CSS	48,3*	1 1/2"	40	49	107	15	11	30 x 5	30 x 5	300	M 10 x 30
S060157CSS	57 *		50	57	122	18	11	40 x 5	40 x 5	300	M 10 x 30
S060161CSS	60,3 *	2"	50	61	122	18	11	40 x 5	40 x 5	300	M 10 x 30
S060177CSS	76,1*	2 1/2"	65	77	137	18	11	40 x 5	50 x 5	300	M 10 x 30
S060189CSS	88,9 *	3"	80	89	152	18	14	40 x 6	50 x 5	300	M 12 x 35
S0601108CSS	108 *		100	108	187	18	14	40 x 6	60 x 8	300	M 12 x 35
S0601115CSS	114,3*	4"	100	115	187	18	14	40 x 6	60 x 8	300	M 12 x 35
S0601133CSS	133*		125	133	222	23	18	50 x 8	60 x 8	300	M 16 x 45
S0601140CSS	139,7*	5"	125	140	222	23	18	50 x 8	60 x 8	300	M 16 x 45
S0601159CSS	159 *		150	159	257	23	18	50 x 8	80 x 8	300	M 16 x 45
S0601169CSS	168,3	6"	150	169	257	23	18	50 x 8	80 x 8	300	M 16 x 45
S0601220CSS	219,1	8"	200	220	322	27	22	60 x 10	100 x 10	250	M 20 x 50
S0601267CSS	267 *		250	267	372	27	22	60 x 10	100 x 10	250	M 20 x 50
S0601273CSS	273,0*	10"	250	273	372	27	22	60 x 10	100 x 10	250	M 20 x 50
S0601324CSS	323,9	12"	300	324	432	27	22	60 x 10	100 x 10	250	M 20 x 50
S0601356CSS	355,6	14"	350	356	472	27	22	60 x 10	100 x 10	250	M 20 x 50
S0601368CSS	368*		350	368	472	27	22	60 x 10	100 x 10	250	M 20 x 50
S0601407CSS	406,4	16"	400	407	522	27	22	60 x 10	100 x 10	250	M 20 x 50

* CuNiFe Boru Ölçüleri - CuNiFe Boru Ölçüleri

MALZEME : Standart S235JR, AISI 304-316 Paslanmaz Çelik
KAPLAMA : Standart Kaplamasız, Elektro Galvaniz,
Sıcak Daldırma Galvaniz, Astar Boya

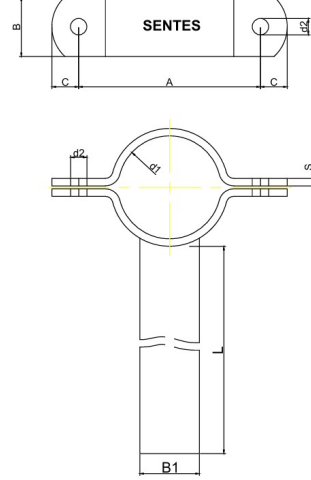
MATERIAL : Standard S235JR, AISI 304-316 Stainless Steel
SURFACE : Standard No Coating, Electro Galvanised,
Hot Dipped Galvanised, Primer Coated

SENTES her türlü değişiklik ve ekleme yapma hakkına sahiptir.
SENTES baskı ve yazım hatalarına karşı hiçbir sorumluluğu yoktur.

SENTES reverse the right to make changes and additions without giving prior notice.
SENTES accepts no liability for printing errors.

S-07

KAYNAKLI BORU KELEPÇESİ
WELDED PIPE CLAMPS
NW 15 - 400



KOD/CODE	mm	inch	DN	d1	A	C	d2	B x S	B1 x S1	L	ÇİVATA SOMUN
S060122CSS	21,3	1/2"	15	22	55	11	9	20 x 3	30 x 5	300	M 8 x 20
S060127CSS	26,9	3/4"	20	27	65	11	9	20 x 3	30 x 5	300	M 8 x 20
S060134CSS	33,7	1"	25	34	70	11	9	20 x 3	30 x 5	300	M 8 x 20
S060143CSS	42,4	1 1/4"	32	43	86	15	11	30 x 5	30 x 5	300	M 10 x 30
S060149CSS	48,3	1 1/2"	40	49	95	15	11	30 x 5	30 x 5	300	M 10 x 30
S060161CSS	60,3	2"	50	61	110	18	11	40 x 5	40 x 5	300	M 10 x 30
S060177CSS	76,1	2 1/2"	65	77	125	18	11	40 x 5	50 x 5	300	M 10 x 30
S060189CSS	88,9	3"	80	89	140	18	14	40 x 6	50 x 5	300	M 12 x 35
S0601115CSS	114,3	4"	100	115	175	18	14	40 x 6	60 x 8	300	M 12 x 35
S0601140CSS	139,7	5"	125	140	210	23	18	50 x 8	60 x 8	300	M 16 x 45
S0601169CSS	168,3	6"	150	169	245	23	18	50 x 8	80 x 8	300	M 16 x 45
S0601220CSS	219,1	8"	200	220	310	27	22	60 x 10	100 x 10	250	M 20 x 50
S0601273CSS	273,0	10"	250	273	360	27	22	60 x 10	100 x 10	250	M 20 x 50
S0601324CSS	323,9	12"	300	324	420	27	22	60 x 10	100 x 10	250	M 20 x 50
S0601356CSS	355,6	14"	350	356	460	27	22	60 x 10	100 x 10	250	M 20 x 50
S0601407CSS	406,4	16"	400	407	510	27	22	60 x 10	100 x 10	250	M 20 x 50

MALZEME : Standart S235JR, AISI 304-316 Paslanmaz Çelik
KAPLAMA : Standart Kaplamsız, Elektro Galvaniz,
Sıcak Daldırma Galvaniz, Astar Boya

MATERIAL : Standard S235JR, AISI 304-316 Stainless Steel
SURFACE : Standard No Coating, Electro Galvanised,
Hot Dipped Galvanised, Primer Coated

SENTES her türlü değişiklik ve ekleme yapma hakkına sahiptir.
SENTES baskı ve yazım hatalarına karşı hiçbir sorumluluğu yoktur.

SENTES reverse the rinht to make changers and additions without giving prior notice.
SENTES accepts no liability for printing errors.

SENTEES



A. EGEMENLİK MH. 6106 SOKAK NO: 56 IŞIKKENT - BORNOVA / İZMİR
G. +90 (553) 969 94 29 - **M.** info@endustriyelborukelepcesi.com

www.endustriyelborukelepcesi.com